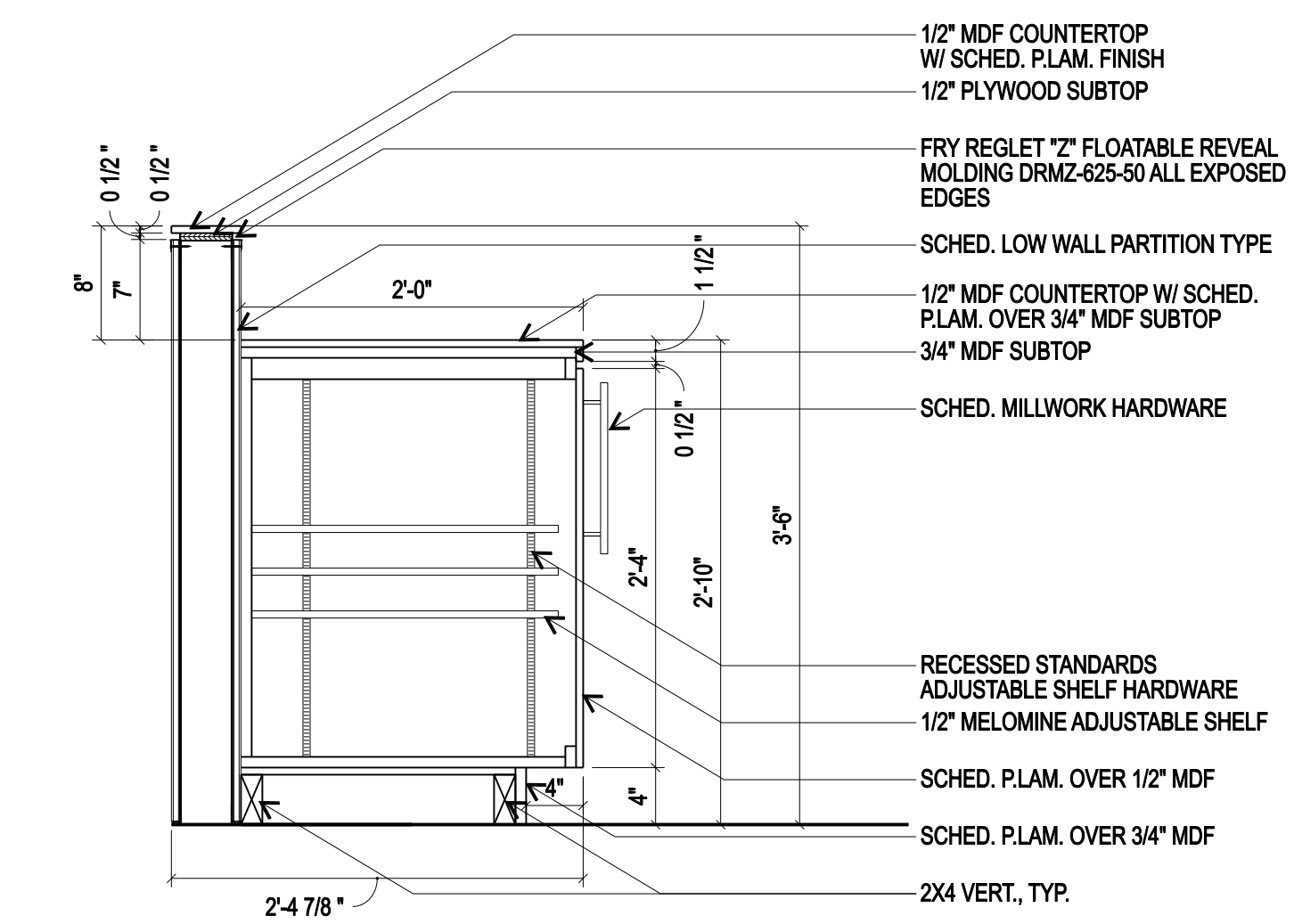
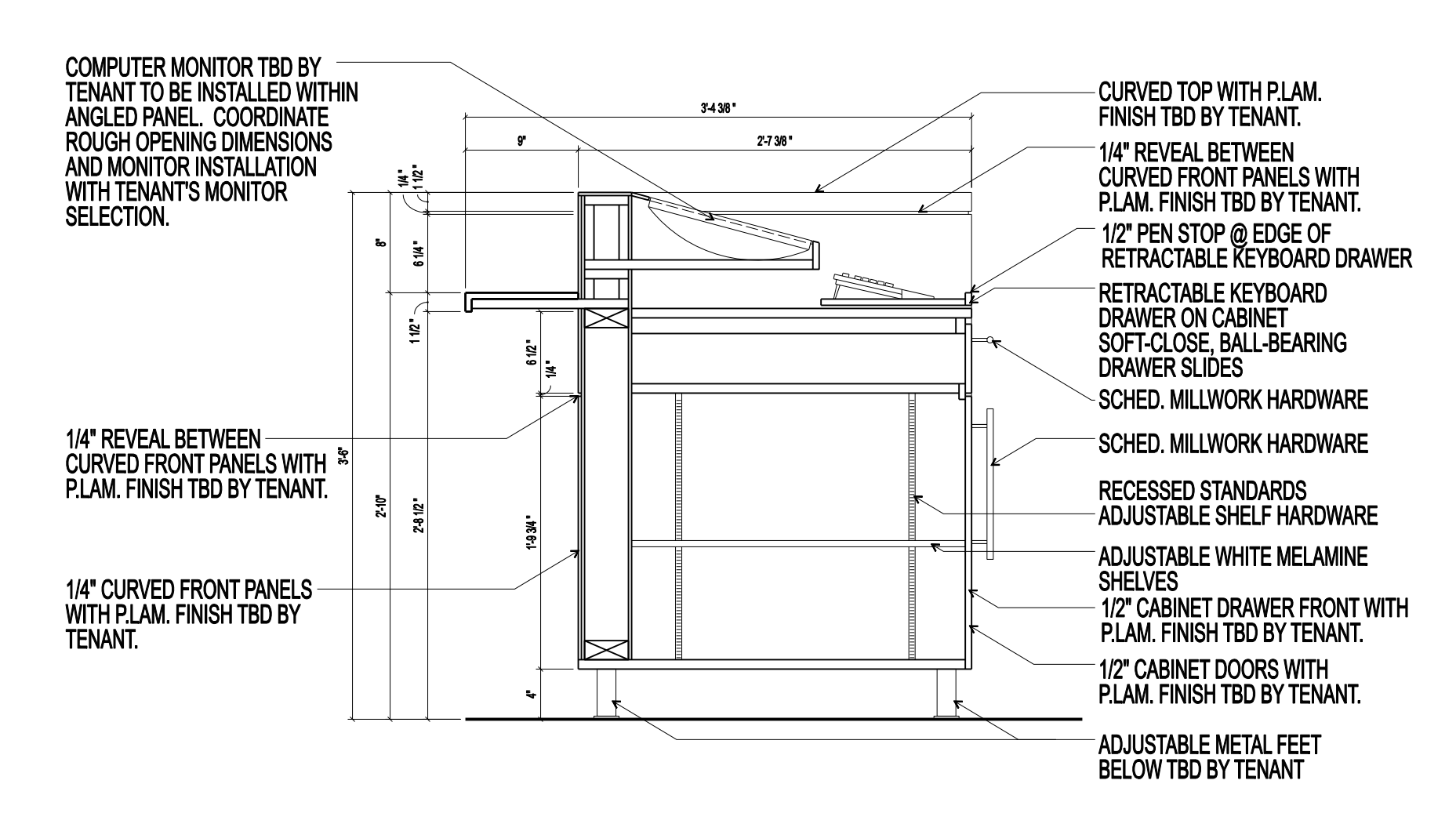


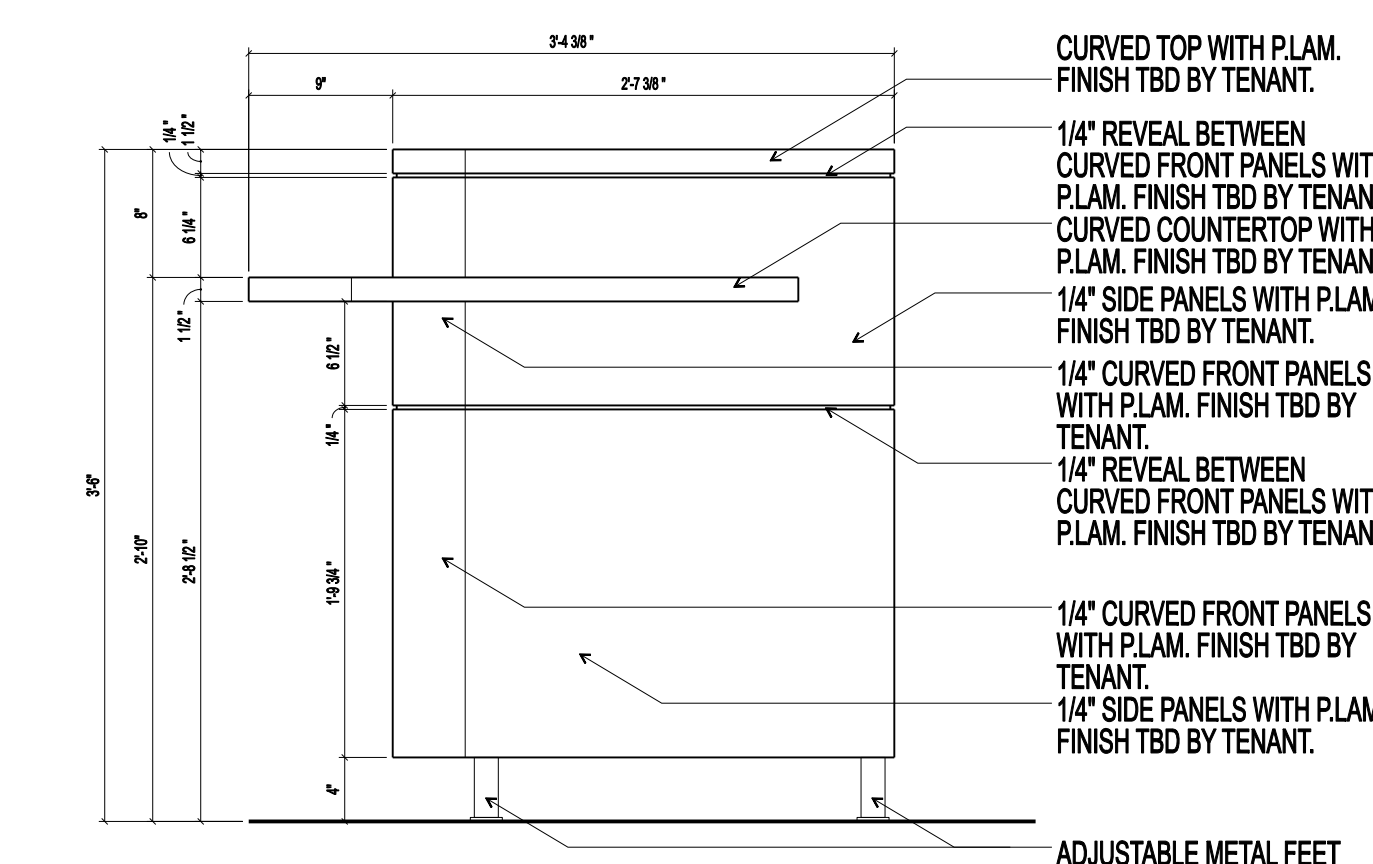
08 TYPICAL COUNTERTOP DETAIL @ TRASH CAN
SCALE: 1" = 1'-0"



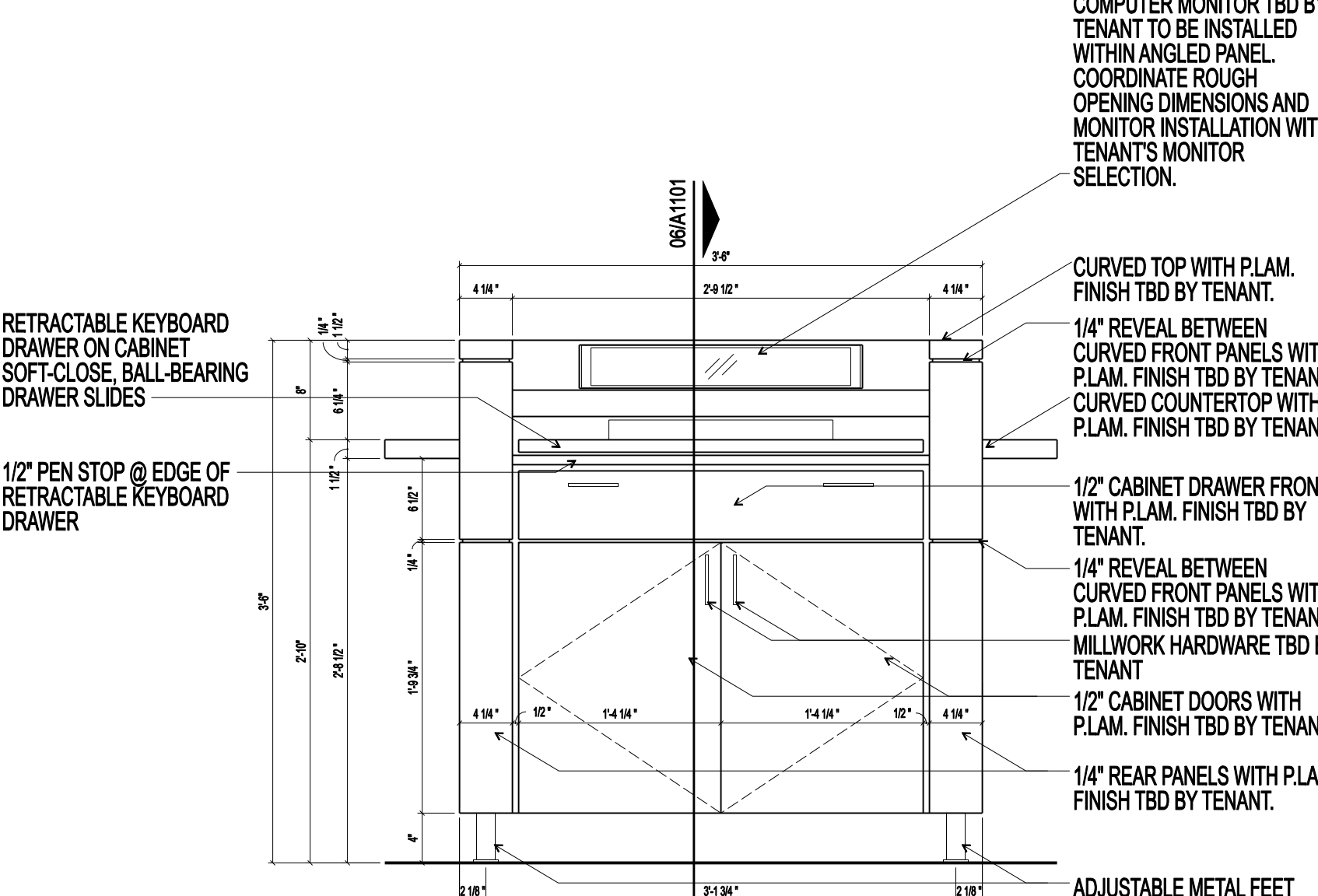
07 MILLWORK SECTION
SCALE: 1" = 1'-0"



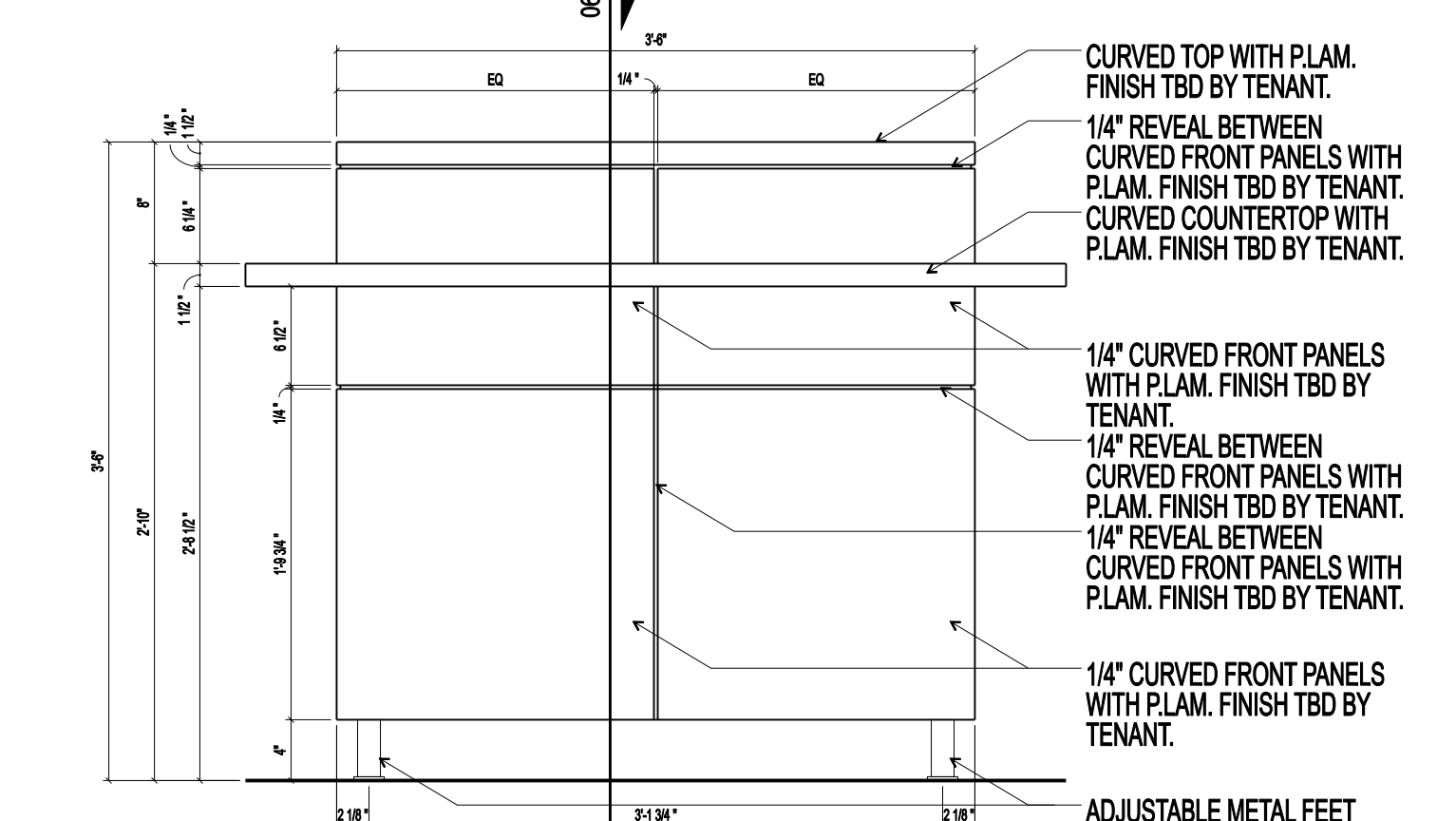
06 GREETER STATION - SECTION
SCALE: 1" = 1'-0"



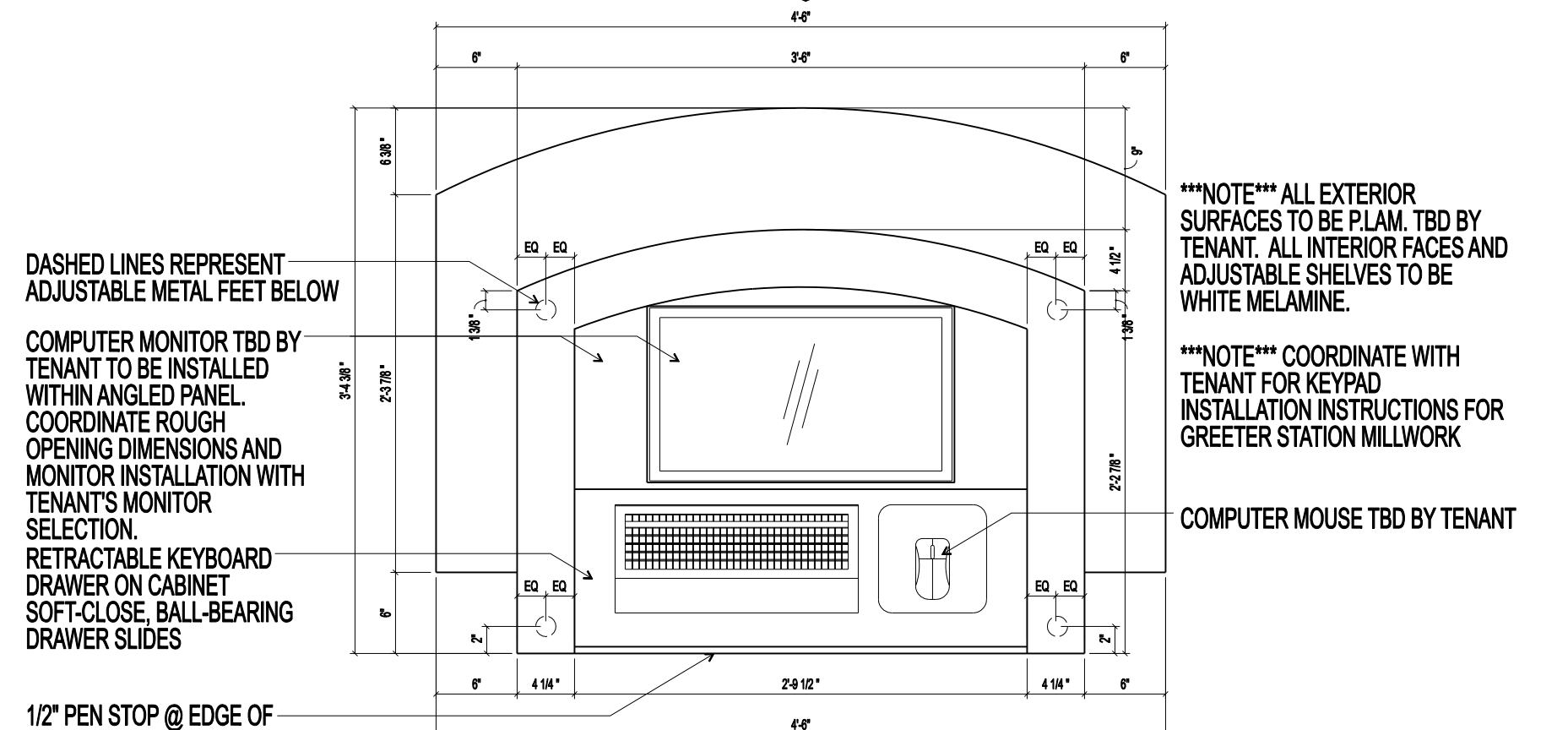
05 GREETER STATION - SIDE ELEVATION
SCALE: 1" = 1'-0"



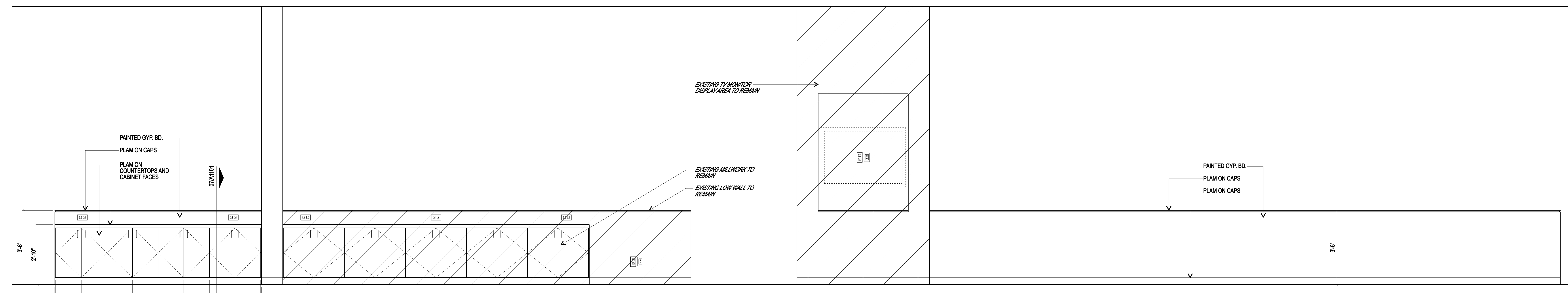
04 GREETER STATION - REAR ELEVATION
SCALE: 1" = 1'-0"



03 GREETER STATION - FRONT ELEVATION
SCALE: 1" = 1'-0"



02 GREETER STATION - PLAN VIEW
SCALE: 1" = 1'-0"



01 INTERIOR ELEVATION
SCALE: 1/2" = 1'-0"

ISSUES AND REVISIONS

NO.	DATE	DESCRIPTION
01	08.14.18	ISSUED FOR PERMITS & CONSTRUCTION

NM21
DESIGN STUDIO, LLC
nathan moore
936.648.1468
nathanmoore21@gmail.com



PROJECT NAME:
WORKFORCE SOLUTIONS - SOUTHEAST:
INTERIOR REMODEL

PROJECT ADDRESS:
12148-B GULF FREEWAY
HOUSTON, TX. 77034

SHEET NAME:
INTERIOR ELEVATIONS
& MILLWORK SECTIONS
/ DETAILS

SHEET NUMBER:
A1101